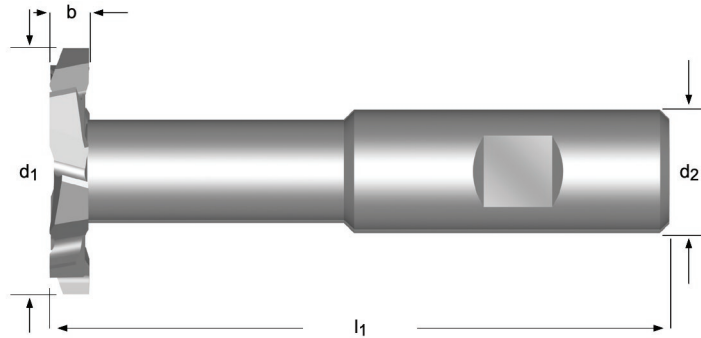


C825

DORMER

- Side and Face Milling Cutter
- Schaft-Schlitzfräser, kreuzverzahnt
- Sleuffrezen
- Fraise pour rainures
- Fresa para ranurar
- Fresa de Facejamento Lateral



C825



N

HSCo



- 1.1 1.2 1.3 1.4 1.5 1.6 2.1 2.2 2.3 3.1 3.2 3.3 3.4 4.1 4.2 4.3 5.1 5.2 5.3 6.1
- 6.2 6.3 6.4 7.1 7.2 7.3 7.4 8.1 10.1

d_1 Ø mm	b	l_1 mm	z	d_2 Ø mm	e-Code	d_1 Ø mm	b	l_1 mm	z	d_2 Ø mm	e-Code
40,00	3	100	8	20	C8253.0X40.0	63,00	10	130	12	25	C82510.0X63.0
40,00	4	100	8	20	C8254.0X40.0	63,00	12	130	12	25	C82512.0X63.0
40,00	5	100	8	20	C8255.0X40.0	63,00	14	130	12	25	C82514.0X63.0
40,00	6	100	8	20	C8256.0X40.0	63,00	16	130	12	25	C82516.0X63.0
40,00	8	100	8	20	C8258.0X40.0	63,00	18	130	12	25	C82518.0X63.0
40,00	10	100	8	20	C82510.0X40.0						
63,00	6	130	12	25	C8256.0X63.0						
63,00	8	130	12	25	C8258.0X63.0						